



Taylor-Wharton

Equipping The Hydrogen Infrastructure

EasyCarb 750 HF

Meet the new EasyCarb 750 HF

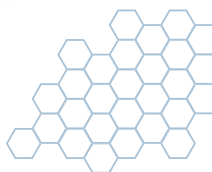
Convenient, simple and durable, the new EasyCarb HF is designed to make your job easier. Featuring superior dimensions and intelligent design, this model redefine performance.

Maximize your fill, minimize your cost

- The EC750 HF model meets the demand of high flow and high volume customers.
- New faster fill design, twice as fast at previous design.
- New and improved optional Vent-Fill feature.

Taylor-Wharton® EasyCarb Offers:

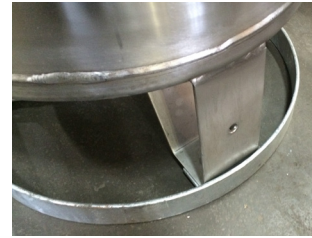
- Newly Designed Faster Fill System – More Customer Deliveries per Day
- Greater Continuous and Peak Flow Rates – 100% Stainless Steel Beverage Vaporizer Coil
- Most Reliable Automatic Fill Shut Off – Designed and Vetted by Industry Experts
- Improved Labeling and Component Identification
- Color Coded Pressure Gauges Highlighting Operating Ranges
- Newly Designed V-Shaped Legs and Removable Shipping Ring
- Reconfigured User-Friendly Robust Plumbing Components
- Better Thermal Performance – Longer Product Hold Times, Less Venting



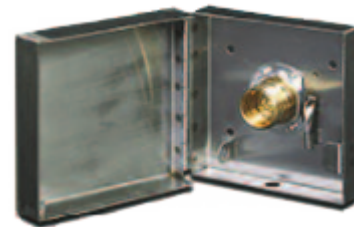
EC750 HF Specifications

MODEL NO.	EC750 HF	
Dimensions		
Diameter	in. (mm)	26 (660)
Height	in. (mm)	70.5 (1791)
Height with legs	in. (mm)	74.0 (1874)
Weight		
Empty lb.	(kg) (Nominal)	396 (180)
Capacity		
Gross Volume	gal (liter)	93 (351)
Net Storage Volume	gal (liter)	83 (316)
Liquid lbs. (kg) CO2 Saturated @125 psig (8.6 bar)		789 (358)
Liquid lbs. (kg) CO2 Saturated @300 psig (20 bar)		717 (325)
Flow Rates		
Peak Demand	lb./hr. (kg/hr.)	40 (18.0)
Continuous	lb./hr. (kg./hr.)	15.0 (6.8)
Minimum Usage (no venting)		
Liquid	lb./day (kg./day)	3.0 (1.4)
Pressure Building System		
Standard Operating Pressure	psig (bar)	N/A
Economizer Circuit System		
Standard Operating Pressure	psig (bar)	140 (8.6)
Safety Device Settings		
Primary Relief Valve	psig (bar)	300 (20.7)
Secondary Relief Valve	psig (bar)	450 (31.0)

Optional Items

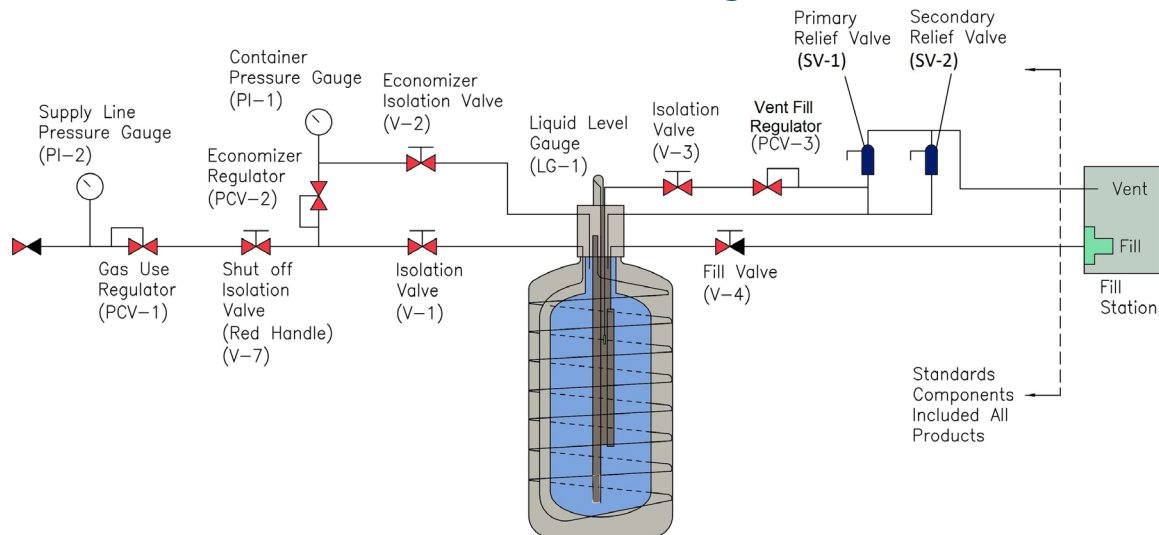


Optional 3x V-Shape Leg with Shipping ring Available.



Fill Box with the ability to run the fill and vent lines any time in any direction of the restaurant/facility without any interruption to the operations.

EC750HF Flow Diagram



Taylor-Wharton
Equipping The Hydrogen Infrastructure
www.twcryo.com

AMERICA'S

Phone: 281 738 2863
Sales@twcryo.com

MENA

Phone: +971 4 319 9365
Mena@twcryo.com

EUROPE

Phone: +32 9 272 7938
Europe@twcryo.com