



**Taylor-Wharton**  
Equipping The Hydrogen Infrastructure

**NOVO Bulk CO<sub>2</sub>**



**NOVO Bulk CO<sub>2</sub> - 575**

***The Safe, Natural Alternative to Acid  
for Aquatic Applications***

## ***Control pH with Carbon Dioxide***

- No Dangerous Acid Fumes
- Helps Prevent Equipment Damage Due to Acid Corrosion
- Maintain Total Alkalinity without Manually Feeding Chemicals
- New QuickFill Venturi Fill System Eliminates Over or Under Filling
- Maintenance Free Tank Design



# CO<sub>2</sub> Tank Specifications

## CO<sub>2</sub>. It's as Easy as... 1,2,3...

### One...

CO<sub>2</sub> is inexpensive and readily available. The aquatic industry is seeing a rapidly accelerating trend towards the use of CO<sub>2</sub>. It's a cost effective replacement to reduce or replace muriatic acid at your pool.

### Two...

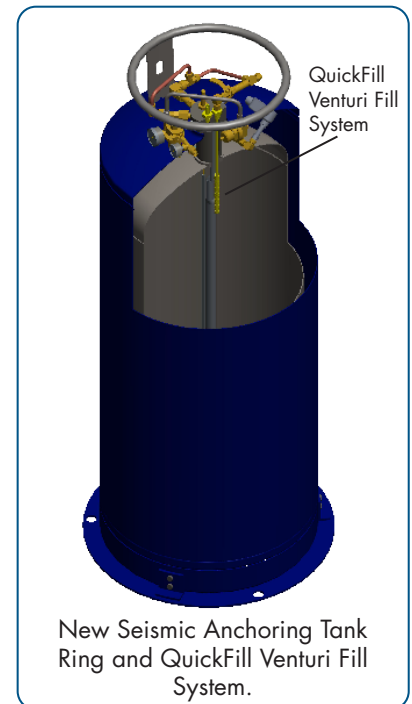
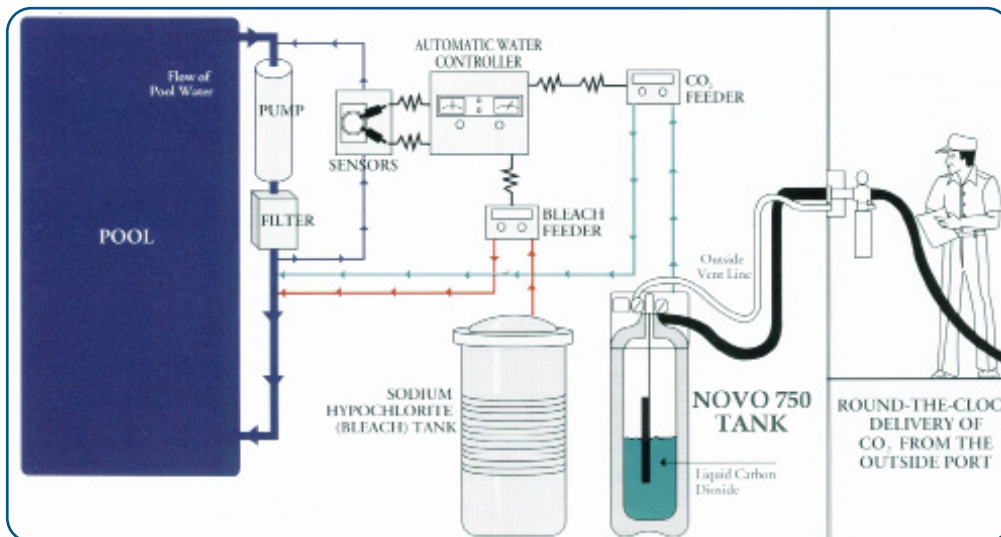
The Taylor-Wharton NOVO® cylinders make your water safer for bathers, less damaging to your equipment and minimizes the danger involved with the storage of handling acids as well.

### Three...

Our unit is permanently installed. No need to move or change out tanks. It can also do the job of eight or more high pressure cylinders. Connects to your automated pool water controller so that the pH and Total Alkalinity (TA) level you selected are maintained.

MODEL	NOVO 575*
<b>Dimensions</b> Diameter in. (mm) Height in. (mm) Weight, Empty lb. (kg)	22 (559) 67.8 (1,722) 401 (182)
<b>Capacity. CO<sub>2</sub> - Saturated @ 125 psig (8.6 bar/862 kPa)</b> Liquid lb. (kg) Gaseous cu. ft. (cu. m.) @ NTP (STP)	575 (261) 5027 (132)
<b>Gaseous Flow Rates</b> Gaseous Flow Rates lbs per hour (kg)	20 (9)
<b>Minimum Usage (no venting)</b> Liquid lb. (kg) Gaseous cu. ft. (cu. m.) @ NTP (STP)	2.9 (1.32) 26.0 (0.7)
<b>Safety Device Settings</b> Inner Container Relief Valve Inner Container Secondary Relief Valve	300 psig (20.7 bar) 330 psig (22.8 bar)
<b>Electrical Requirements (NOVO models Only)</b> Heater Voltage / Current	120 VAC / 7.5 amperes

\* Units available in both electric and non-electric. All electrical components used are NEMA and UL approved. Specifications may vary slightly for each model and are subject to change without notice.



**Taylor-Wharton**  
Equipping The Hydrogen Infrastructure  
www.twcryo.com

**The Americas**  
Phone: (251) 643-3024

**Asia-Pacific & Europe**  
Phone: (+ 60 3) 5191-3003

**Email**  
sales@twcryo.com  
customerservice@twcryo.com