



Taylor-Wharton
Since 1742

Vertical Bulk Storage Tanks



- Malaysia's newest and most modern production facility, dedicated to the design and manufacture of cryogenic storage vessels.
- Technical expertise to design and build vessels to meet strict international codes and standards recognized worldwide.
- World Class technology to maximize tank performance, with built-in features to ensure vacuum integrity, thermal performance and operational flexibility.
- Piping, plumbing and insulation designed for easy and trouble-free operation and maintenance.
- Available options for tank-mounted product vaporizers, valves and fittings, economizer circuits and custom designs.

Taylor-Wharton Malaysia Sdn. Bhd. (776817-V)

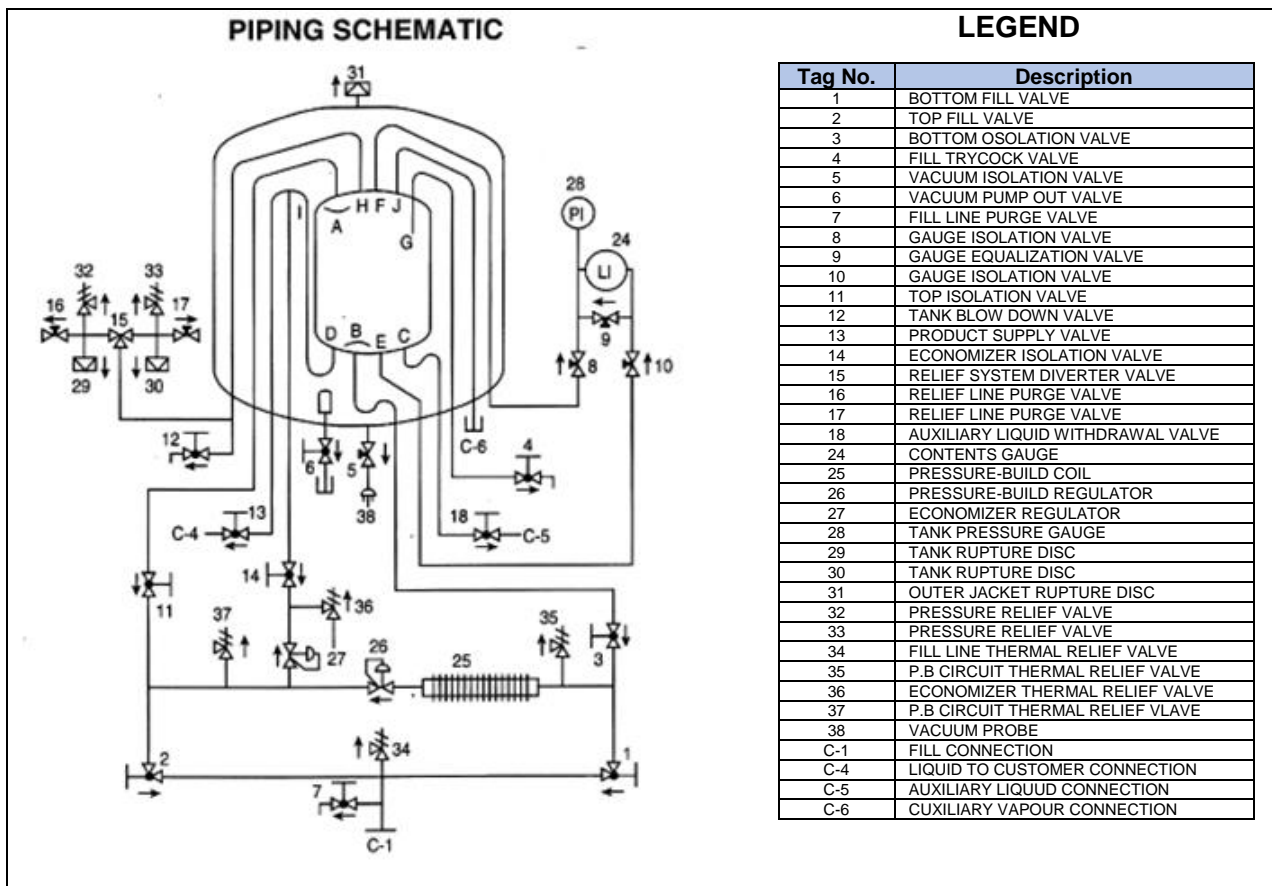
Lot Nos. PT 5073, 5076 & 5077, Jln Jangur 28/43,
Hicom Industrial Estate, 40400 Shah Alam, Selangor, Malaysia
Tel : +603 5191 3003 /+603 5614 2714/2713 Fax : +603 5191 1472

Specification For Standard SCS Model Available From Taylor-Wharton Malaysia

Tank Model	SCS 3400	SCS 6000	SCS 11000	SCS 17000	SCS 19000	SCS 25000	SCS 27000	SCS 32000	SCS 37000	SCS 43000	SCS 48000	SCS 60000	SCS 70000	SCS 80000
Capacity (Liter)														
Warm Water Volume	3500	6100	11k	17k	20k	25k	27k	32k	37k	43k	50k	60k	70k	80k
Nominal Net Liquid Capacity	3325	5790	10450	16150	19000	23750	25650	30400	35150	40850	47500	57000	66500	76000
Dimensions (meters)														
Height	3.9	5.4	8.5	9.2	10.0	12.0	10.2	11.7	13.4	10.5	11.5	13.9	16.1	17.8
Diameters	1.9	1.9	1.9	2.2	2.2	2.2	2.2	2.5	2.5	3.0	3.0	3.0	3.0	3.0
Weight (Metric Ton)														
Tare	3.3	4.2	6.5	9.6	10.4	12.6	13.3	15.9	16.7	19.6	21.0	31.2	35.6	37.3
Gross Operating Weight														
Oxygen	7.0	10.7	18.4	28.5	31.0	39.7	42.6	50.6	56.8	66.2	73.1	96.3	111.5	124.1
Nitrogen	5.9	8.8	14.9	23.0	25.0	31.7	34.0	40.5	45.1	52.6	57.9	77.3	89.4	98.7
Argon	7.8	12.1	21.0	32.6	35.5	45.7	49.1	58.2	65.7	76.5	84.5	110.6	128.2	143.2
NER (% per Day-Oxygen)	0.34	0.32	0.27	0.25	0.21	0.19	0.18	0.17	0.15	0.13	0.12	0.10	0.09	0.09
MAWP (% per Day-Oxygen)**	17.2											16.2		
Min. Design Temperature (Degree Celsius)	-196											-196		

Note :

- Design code : AD 2000 with Stainless Steel Inner Material
- Also Available ASME Code Design Stainless Steel Inner Material
- Also Available AS1210 Code with Stainless Steel Inner Vessel
- Also Available for Large Tank Capacity up to 250,000 liters capacity
- Also Available for MAWP of 24 or 37 bar
- Also Available with Thermosiphon Type
- Also Available in horizontal model



Design and specifications are general and subject to change without prior notice.